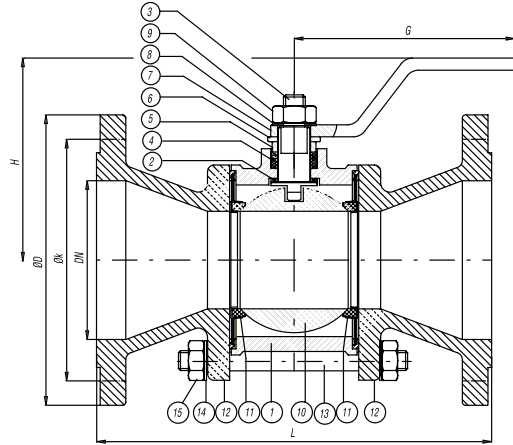


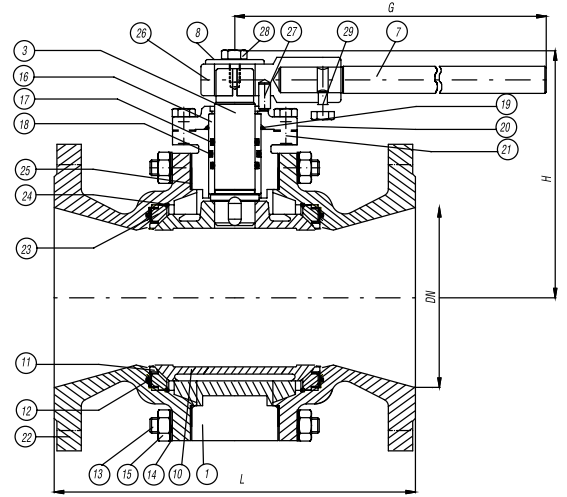
VKRF-16

BALL VALVES REDUCED BORE REDÜKSİYON GEÇİŞLİ KÜRESEL VANA

Pressure Rate / Basınç Aralığı: PN 16
Temperature / Sıcaklık:
TS 3148/19 DIN 3357
DN 20/15 DN 250/200
BBFT No: 210-700
210-780



DIN 20/15.....DN150/125 DIN 3202/2-F1



DN200/150...DN250/200 DIN 3202/2-F5

NO	PART NAME	PARÇA ADI	MATERIAL / MALZEME	NO	PART NAME	PARÇA ADI	MATERIAL / MALZEME
1	Body	Gövde	GG 25 / GGG-40-50	16	Stem Bush	Mil Yatağı	PTFE
2	Gasket	Alt Teflonu	PTFE	17	O-Ring	O-Ring	EPDM
3	Stem	Mil	AISI 1304 / AISI 1316	18	O-Ring	O-Ring	EPDM
4	Gasket	Teflon Ring	PTFE	19	O-Ring	O-Ring	EPDM
5	Gland Bush	Baskı Burcu	Ms 58 / AISI 1304	20	Bonnet	Kapak	GG 25 / GGG-40-50
6	Stopper	Hareket Pulu	St 37 / AISI 1304	21	Bolt	Civata	5 D / SS
7	Lever	Kol	St 37 / AISI 1304	22	O-Ring	O-Ring	EPDM
8	Washer	Rondela	St 37 / AISI 1304	23	Support Ring	Destek Ringi	GG 25 / GGG-40-50
9	Nut	Somun	5 D/SS	24	Saffety Wire	Emniyet Teli	AISI 1304
10	Ball	Küre	AISI 304	25	Gasket	Conta	Klingerit / Franzelit
11	Spring Seal	Tabak Yay	AISI 304 + PTFE	26	Lever Adaptor	Kol Adaptörü	GG 25 / GGG-40-50
12	Flange	Yan Flanş	GG 25 / GGG-40-50	27	Pin	Hareket Pimi	AISI 1304
13	Stud	Saplama	5.6/SS	28	Washer	Rondela	St 37 / AISI 1304
14	Washer	Rondela	St 37 / 304	29	Bolt	Civata	5 D / SS
15	Nut	Somun	5 D / SS				

Nominal Diameter / Anma Çapı	DN	20	25	32	40	50	65	80	100	125	150	200	250
Valve Dimensions / Vana Boyutları TS 3148/19 DIN 3357	L	150	160	180	200	230	290	310	350	400	450	400	450
	G max.	160	180	180	250	300	320	350	450	500	700	700	1000
	H max.	95	110	115	130	135	145	155	195	220	265	300	380
Flange Dimensions / Flanş Ölçüleri TS 810 / DIN 2501 PN 16	D	105	115	140	150	165	185	200	220	250	285	340	405
	k	75	85	100	110	125	145	160	180	210	240	295	355
Weight / Ağırlık	kg	2,7	3,5	5,4	6,8	9,55	15,15	21,6	30,2	44,8	72,2	100	141